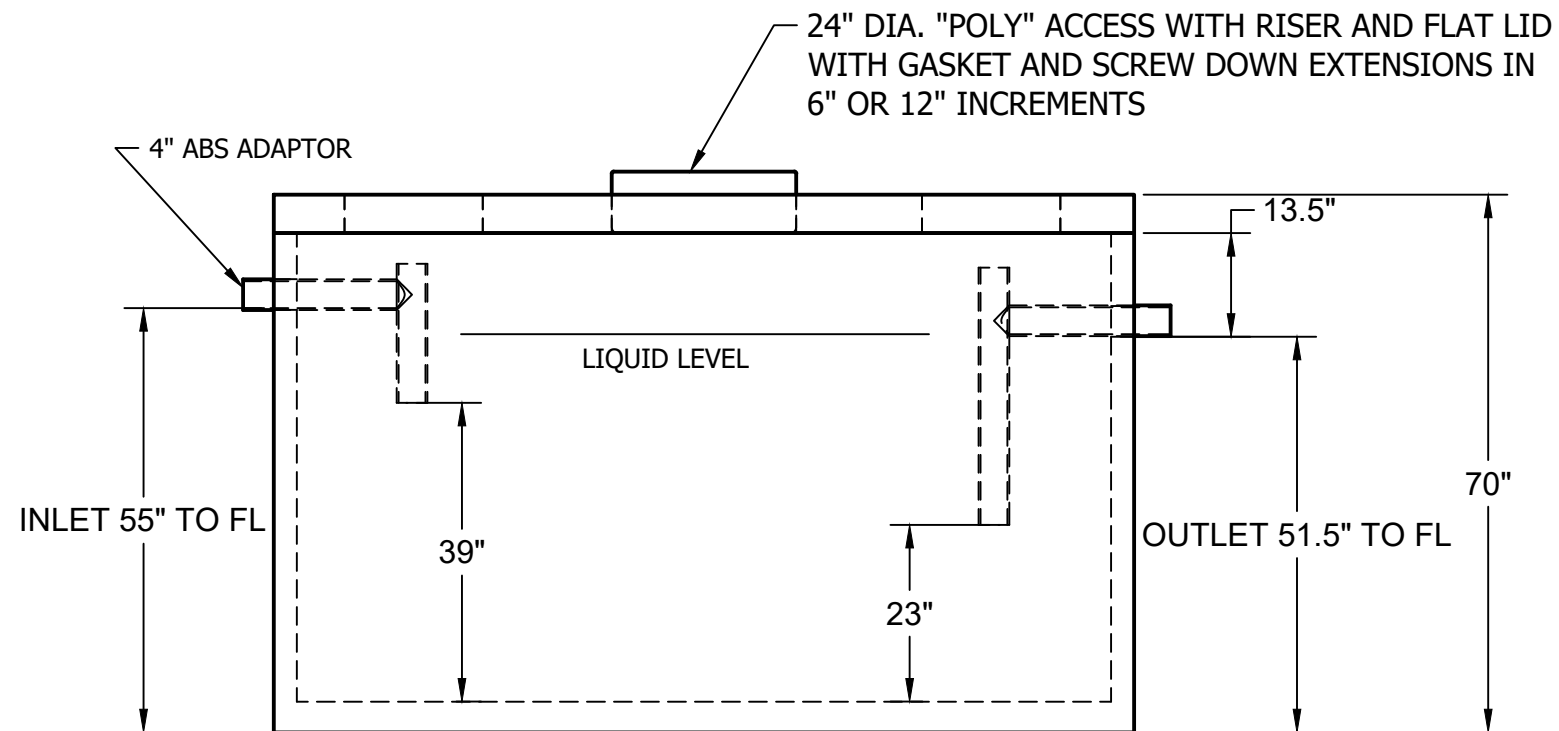
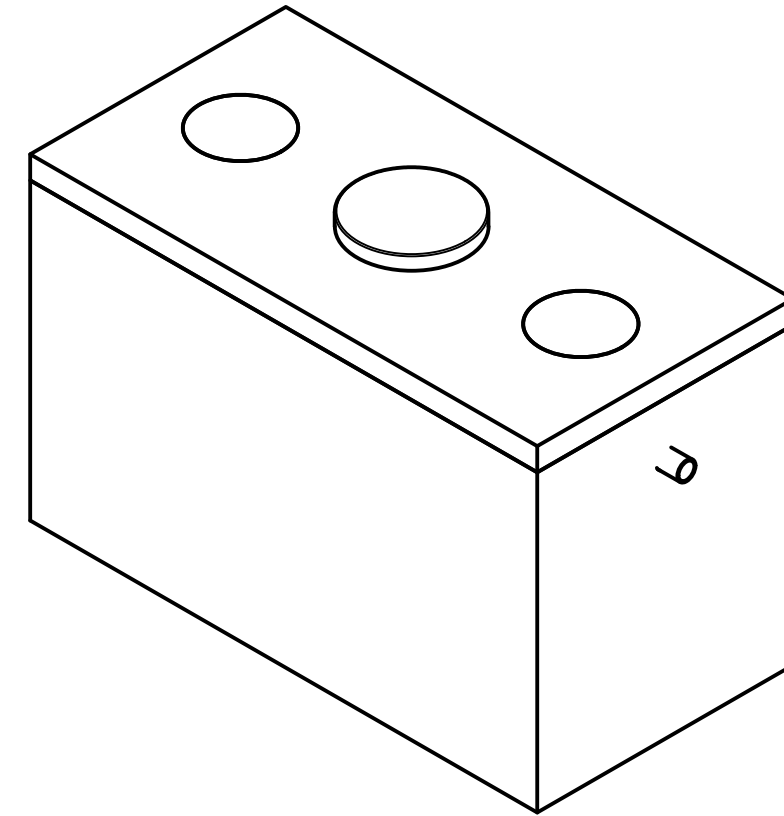
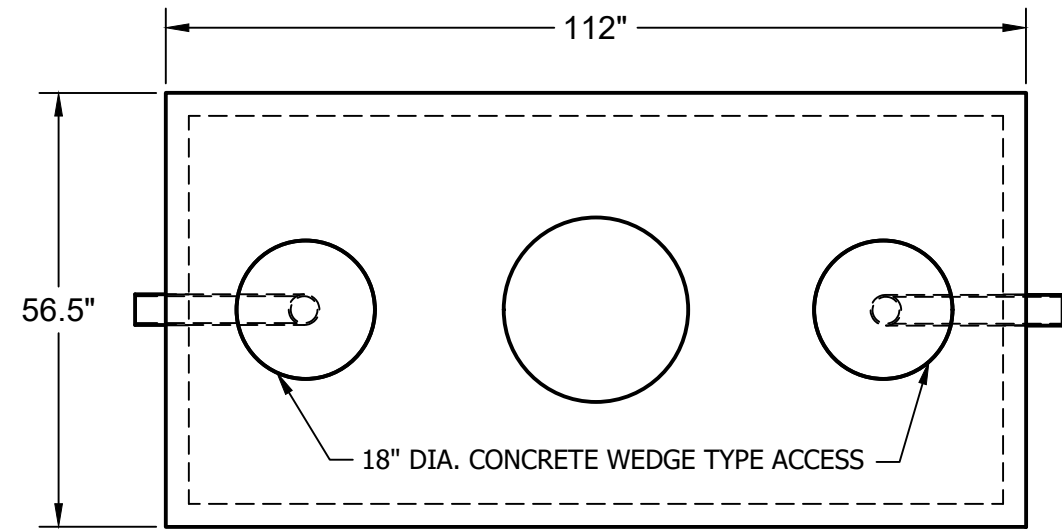


MFG. TANK MARKINGS:
 INLET & OUTLET
 TANK GAL. SIZE
 MFG. NAME ON OUTLET SIDE

1000 GALLON SEPTIC TANK



NOTES:

EXCAVATION HOLE SIZE: 7' X 11'6"
 WEIGHT: 9,400 LBS

CONCRETE THICKNESS:
 FLOOR: 3"
 WALLS: 3"
 LID: 5"

THICKNESS FOR 4' OF BURIED
 FOR 8' BURIED LID THICKNESS: 8"

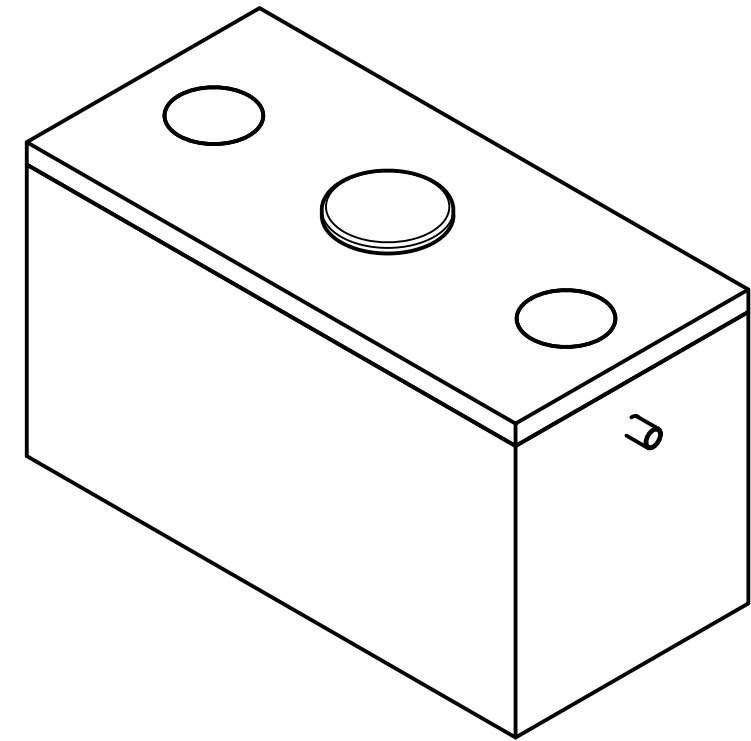
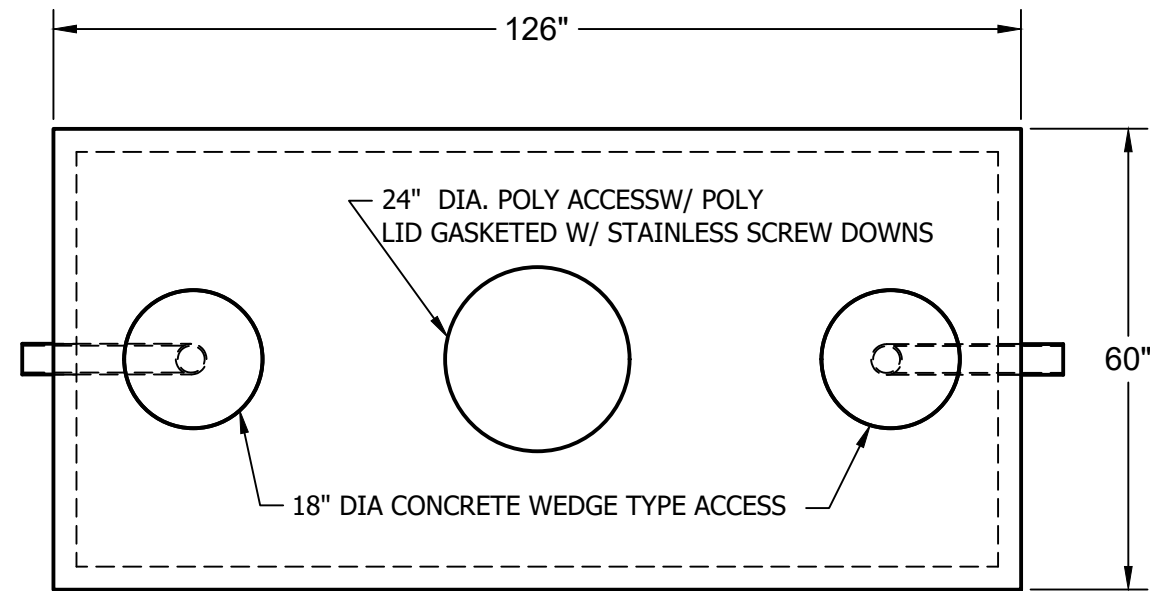


DURA-CRETE, INC.
 CUSTOM CONCRETE SPECIALTIES

801-972-8686
 SALES@DURACRETE.COM

MFG. TANK MARKINGS:
 INLET & OUTLET
 TANK GAL. SIZE
 MFG. NAME ON OUTLET SIDE

1250 GAL SEPTIC TANK

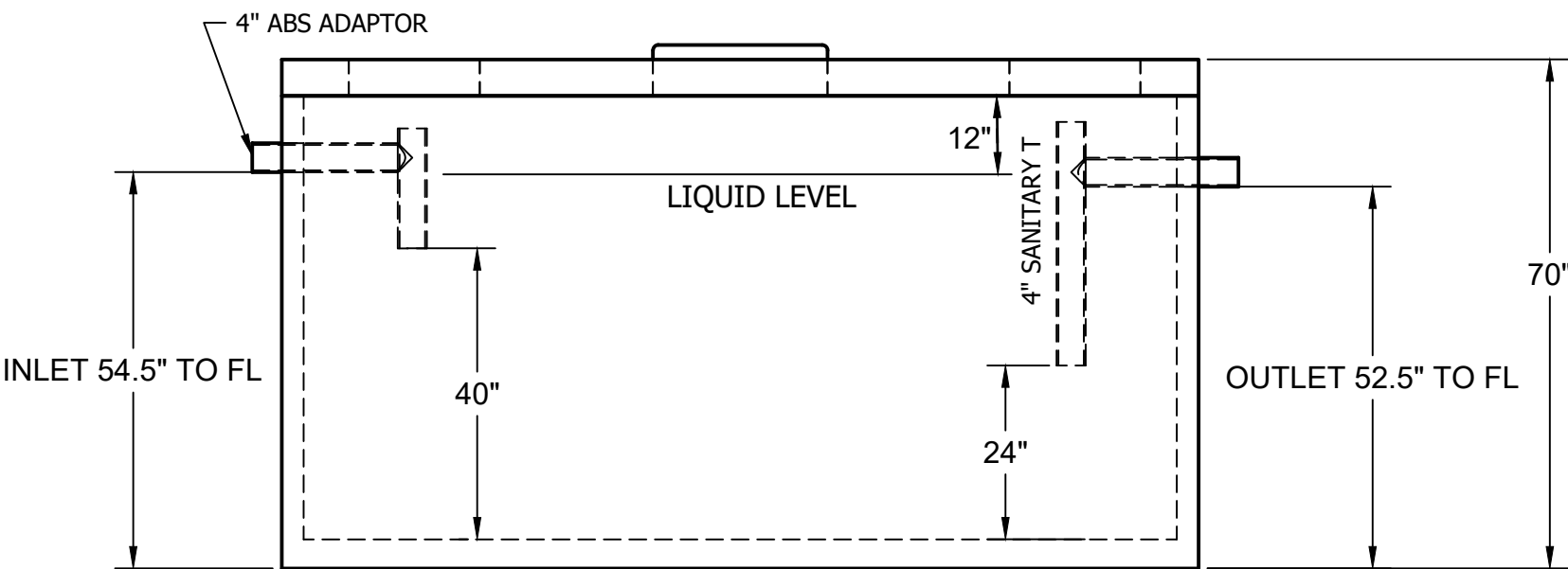


NOTES:

EXCAVATION HOLE SIZE: 7' X 12'6"
 WEIGHT: 11,200 LBS

CONCRETE THICKNESS:
 FLOOR: 4"
 WALLS: 3"
 LID: 5"

THICKNESS FOR 4' OF BURIED
 FOR 8' BURIED LID THICKNESS: 8"

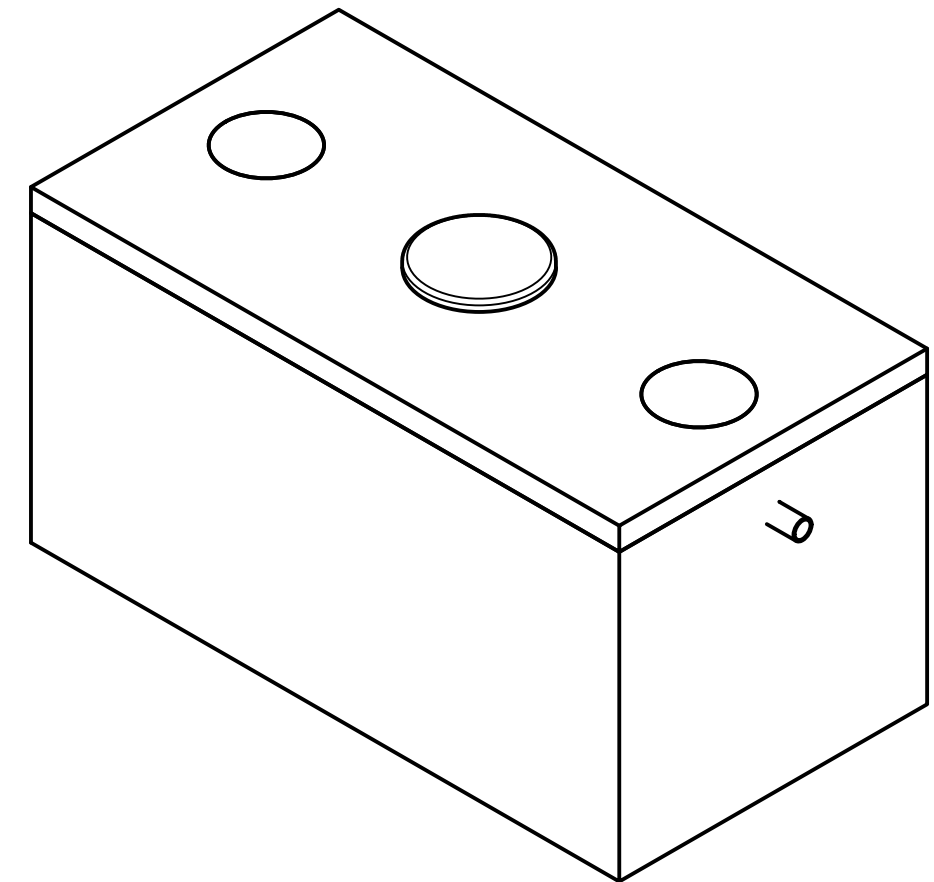
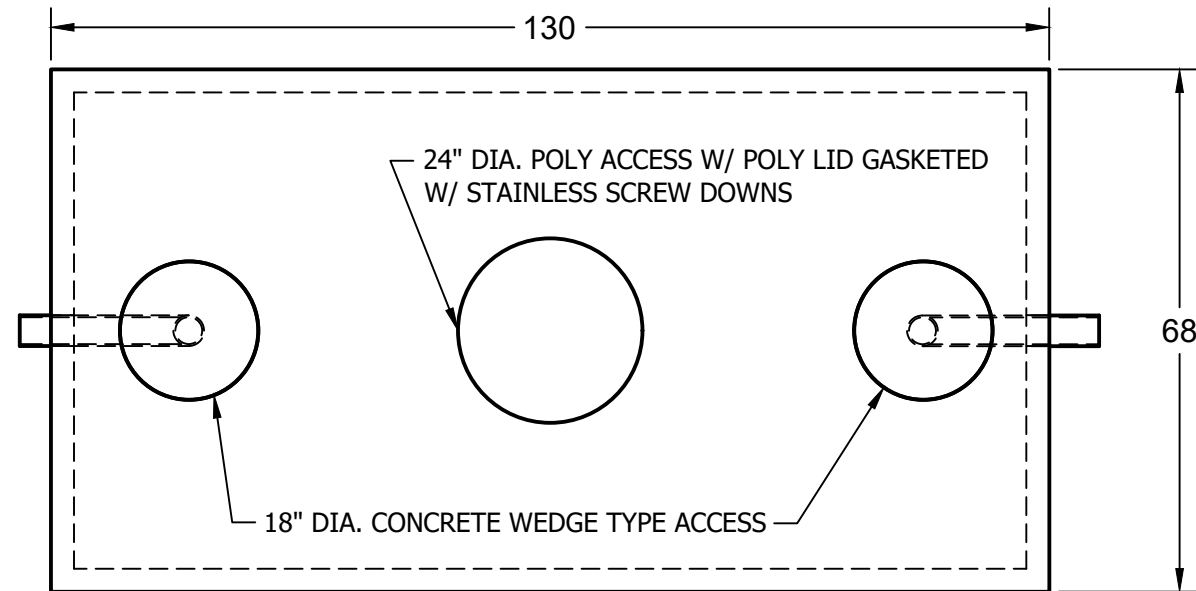


DURA-CRETE, INC.
 CUSTOM CONCRETE SPECIALTIES

801-972-8686
 SALES@DURACRETE.COM

MFG. TANK MARKINGS:
 INLET & OUTLET
 TANK GAL. SIZE
 MFG. NAME ON OUTLET SIDE

1500 GALLON SEPTIC TANK



NOTES:

EXCAVATION HOLE SIZE: 8' X 13'
 WEIGHT: 12,400 LBS

CONCRETE THICKNESS:
 FLOOR: 3"
 WALLS: 3"
 LID: 5"

THICKNESS FOR 4' OF BURIED
 FOR 8' BURIED LID THICKNESS: 8"

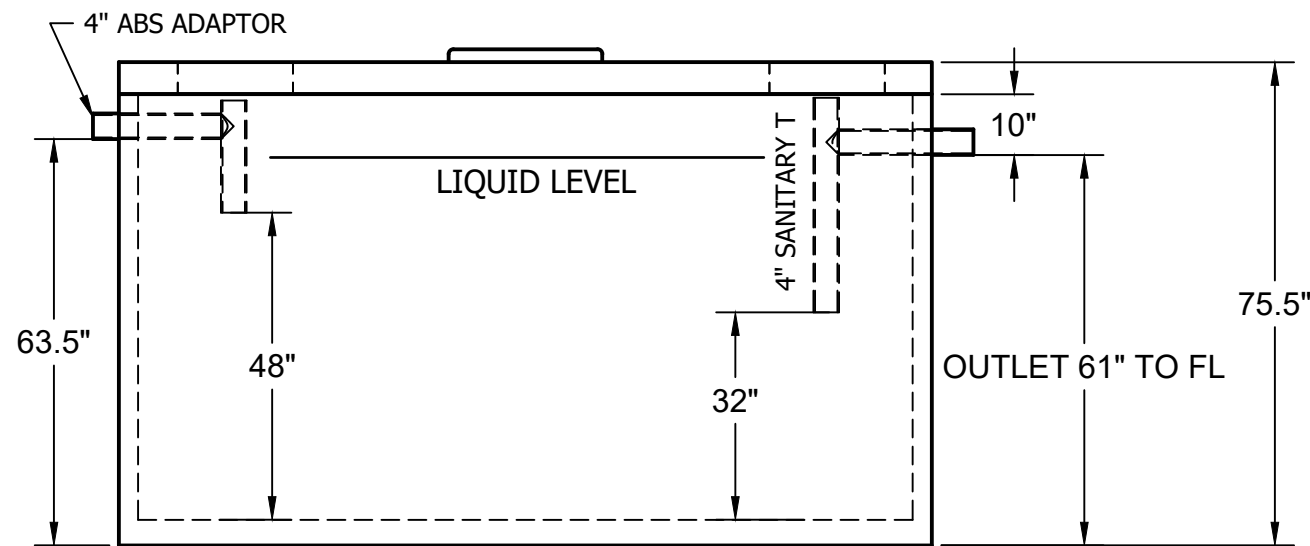
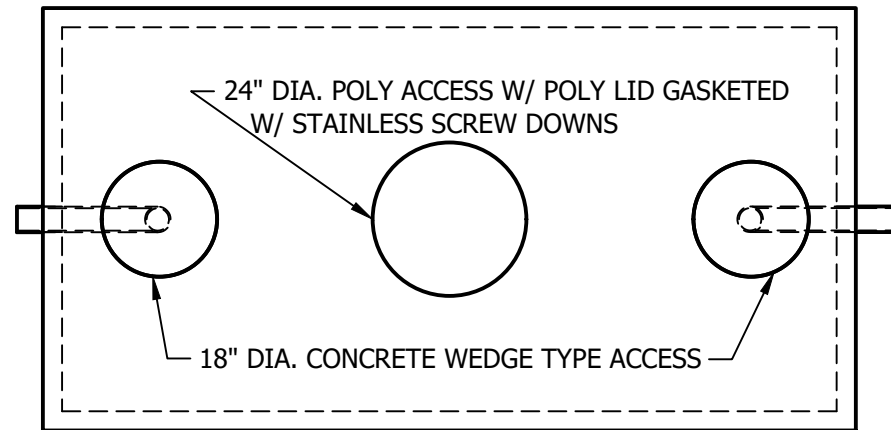
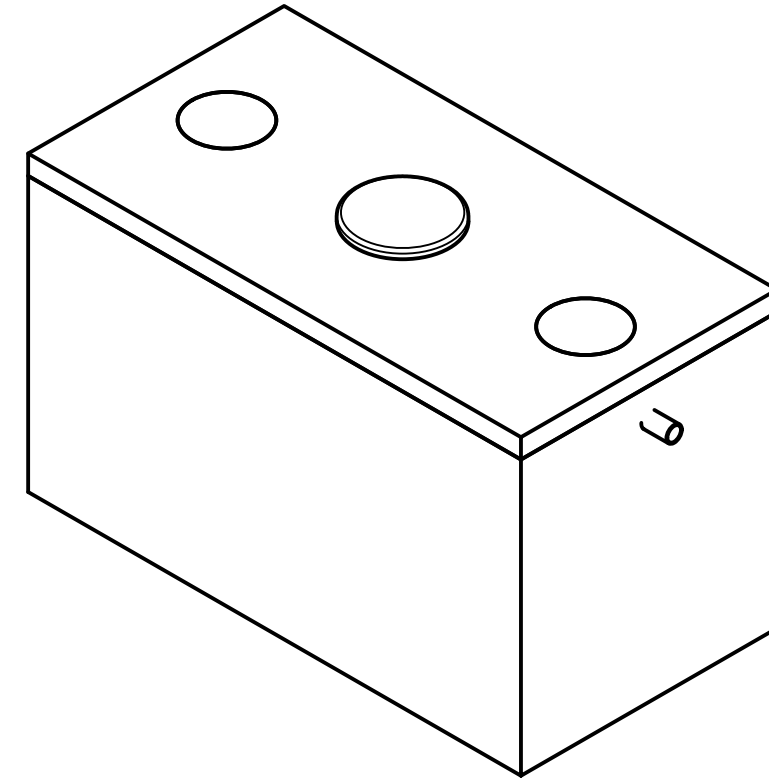


DURA-CRETE, INC.
 CUSTOM CONCRETE SPECIALTIES

801-972-8686
 SALES@DURACRETE.COM

MFG. TANK MARKINGS:
 INLET & OUTLET
 TANK GAL. SIZE
 MFG. NAME ON OUTLET SIDE

1750 GALLON SEPTIC TANK



NOTES:

EXCAVATION HOLE SIZE: 8' X 13'
 WEIGHT: 13,000 LBS

CONCRETE THICKNESS:
 FLOOR: 4"
 WALLS: 3"
 LID: 5"

THICKNESS FOR 4' OF BURIED
 FOR 8' BURIED LID THICKNESS: 8"

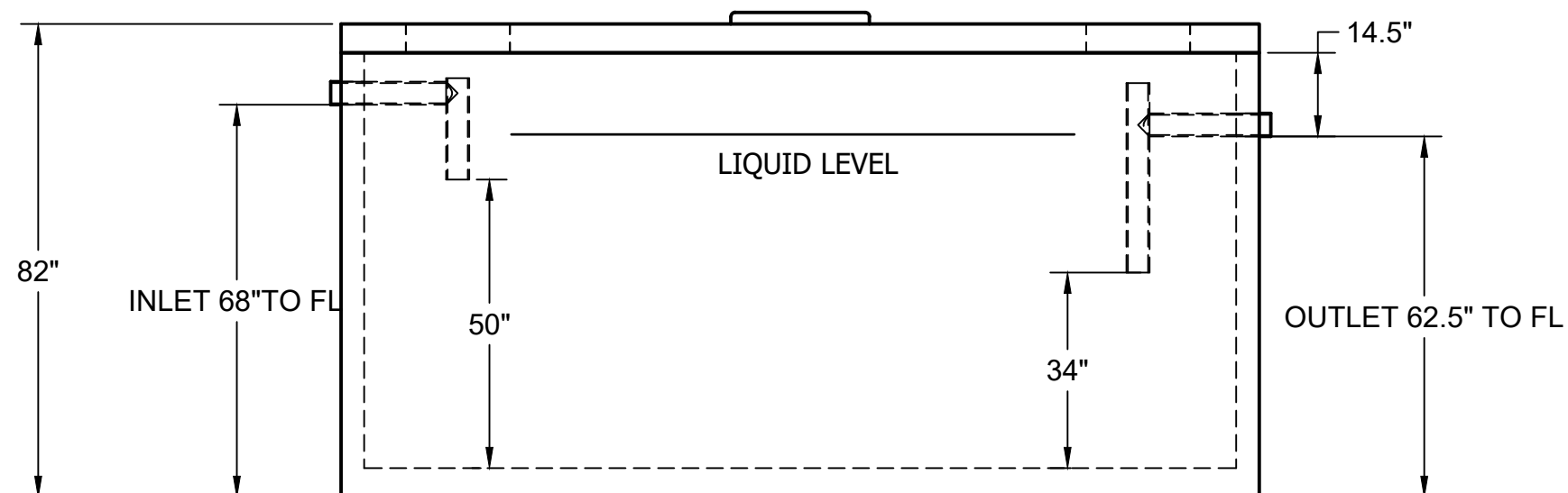
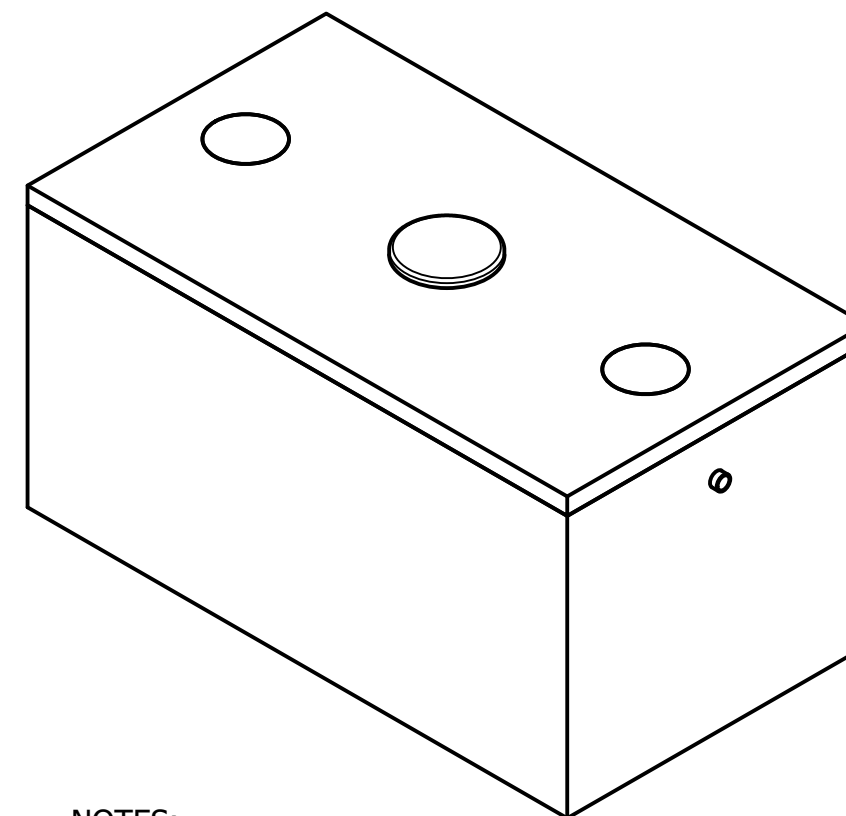
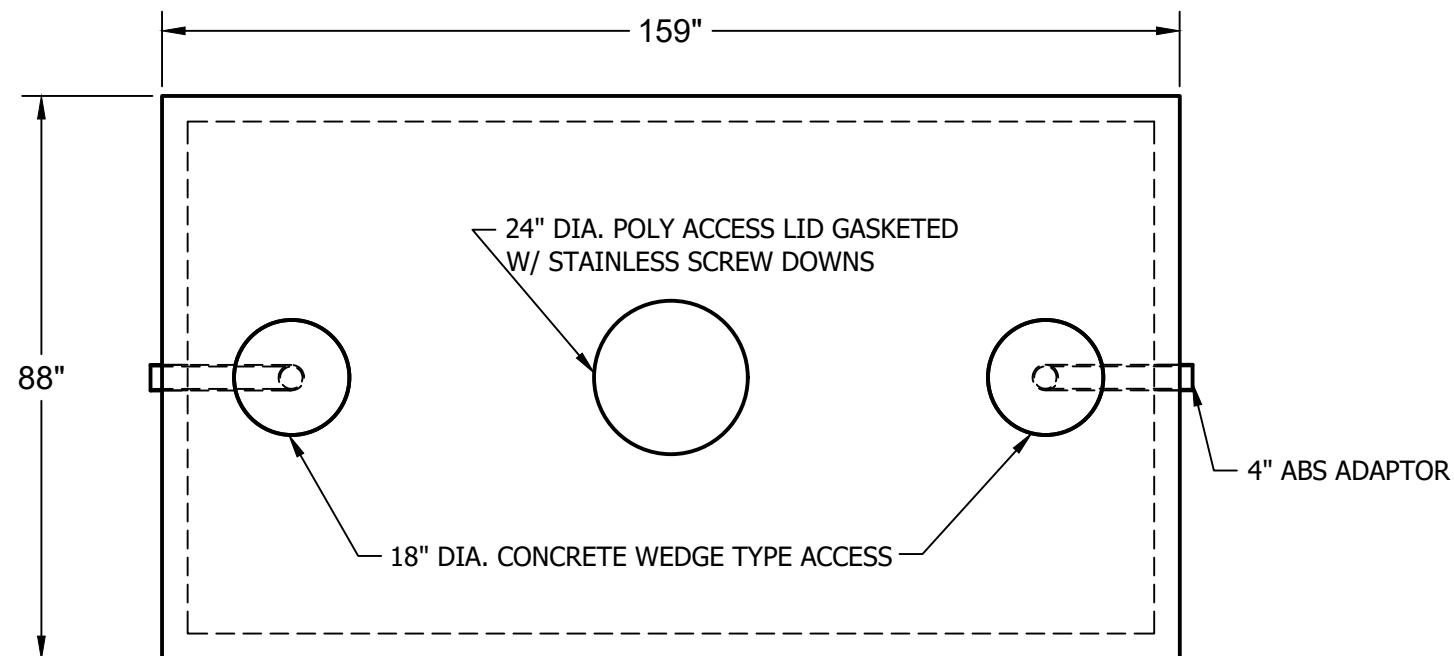


DURA-CRETE, INC.
 CUSTOM CONCRETE SPECIALTIES

801-972-8686
 SALES@DURACRETE.COM

MFG. TANK MARKINGS:
INLET & OUTLET
TANK GAL. SIZE
MFG. NAME ON OUTLET SIDE

2500 GALLON SEPTIC TANK



NOTES:

EXCAVATION HOLE SIZE: 9' X 15'
WEIGHT: 16,000 LBS

CONCRETE THICKNESS:

FLOOR: 5"
WALLS: 4"
LID: 5"

THICKNESS FOR 4' OF BURIED

FOR 8' BURIED LID THICKNESS: 8"